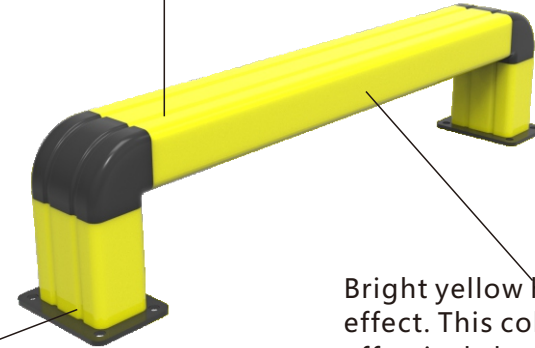




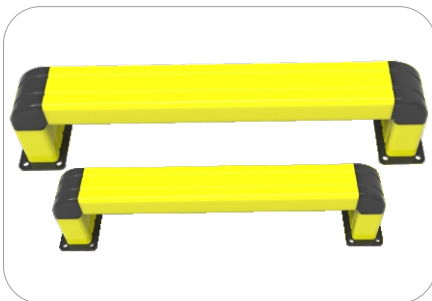
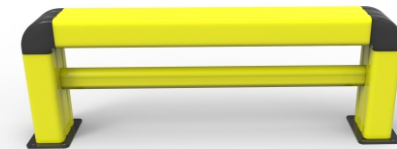
Rack Hoop Barrier

The rack hoop barrier is made of elastic material. It is anticorrosive, rustproof, anti-collision, anti-scratch and low temperature resistant.

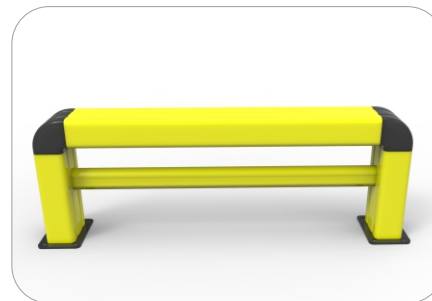


The barrier is made of poly barrier and rubber inner system. It can withstand up to 10 tons of forklift impact at 10Km/H.

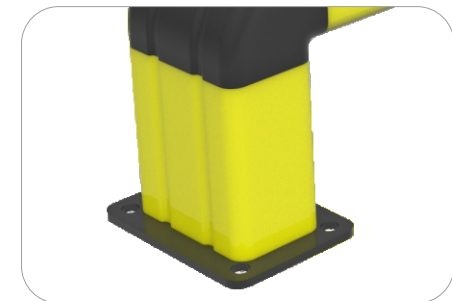
Bright yellow has a warning effect. This color can effectively keep working vehicles away from equipment and facilities and reduce the probability of collision.



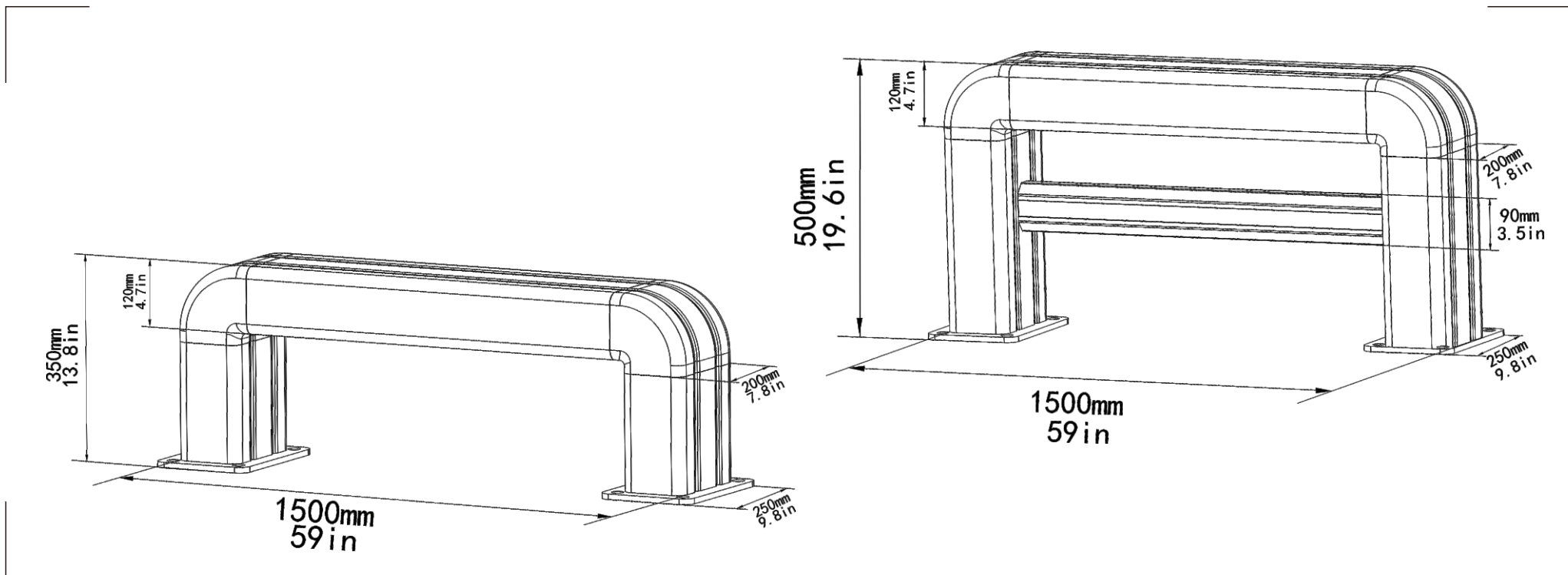
Installed in 90°



The body has single and double layer structure



It is 360° stitching and it can provide comprehensive protection



The rack hoop barrier is a new protection system which is resolved into a U shape. It is mainly used to protect the storage shelf base from damage caused by impact. The barrier is not only effective in protecting the goods, but also effective in protecting the running vehicles even after it hits the barrier. It can protect the property of factory equipment and facilities and the safety of personnel better.

Features:

- 1、 Unique U shape design
- 2、 Bright yellow has a warning effect
- 3、 Durable, high quality guarantee



Scan to watch crash test video

Model	Length	Width	Height	Anti-collision performance
VN-UGR-1	150CM	25CM	35CM	Can withstand loads of up to 10 tons of trucks at 10Km/H
VN-UGR-2	150CM	25CM	50CM	Can withstand loads of up to 10 tons of trucks at 10Km/H